

# Enware-Oras Safira In-Wall Compact Shower Mixer

## SAF608

The stylish Safira range of mixers are designed for the rigours of daily use in hospitals and health care as well as high use public spaces in washrooms and food preparation.

### FEATURES

- Durable Oras single lever mixer cartridge with brass spindle for durability
  - Metal handle with hot/cold or warm/cold indicators
  - 48mm in-wall depth mixer with screw fixing points
  - 90mm wall plate with wall and body seal
  - Range of service parts available
  - 15-year warranty \*\*
- \*\* See Enware website for details



### Product Codes

- SAF608-RB** Safira In-Wall Compact Shower Mixer with Red / Blue Indicator
- SAF608-YB** Safira In-Wall Compact Shower Mixer with Yellow / Blue Indicator

### Technical Information

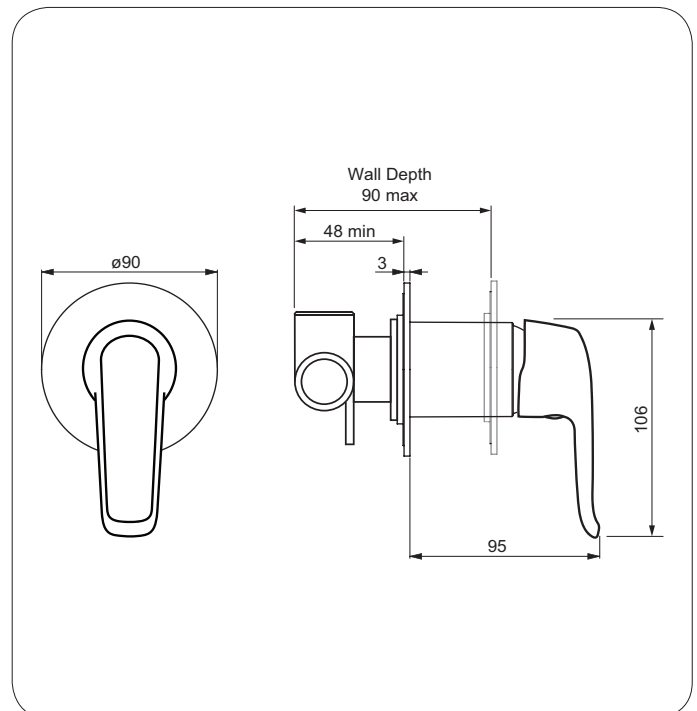
Inlet Connection	15mm (1/2" BSP)
Static Inlet Pressure*	50-1000 kPa Maximum 1600kPa for testing purposes only
Recommended Working Pressure*	50-500 kPa (In accordance with AS/NZ3500) Hot and cold water inlet pressures should be balanced
Operating Temperature Range	0-80°C

\*Enware products are to be installed in accordance with the Plumbing Code of Australia and AS/NZS3500.

Reference should also be made to the Australasian Health Facility Guidelines (AHFG), ABCB and Local Government regulations when considering the choice of, and the installation of these products.

NOTE: Enware Australia advises:

1. Due to ongoing Research and Development, specifications may change without notice.
2. Component specifications may change on some export models.
3. Refer to Warranty Statement for warranty details - [www.enware.com.au/warranty](http://www.enware.com.au/warranty)



Version: Jul20

Call 1300 369 273  
[www.enware.com.au](http://www.enware.com.au)

Enware Australia Pty Limited  
9 Endeavour Rd Caringbah NSW 2229 Australia  
Ph: 02 8536 4000 [info@enware.com.au](mailto:info@enware.com.au)

